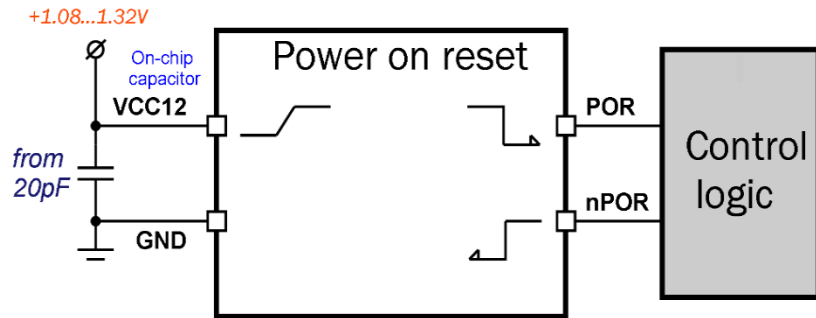


**Power on Reset 1.2V**
**OVERVIEW**

055SMIC\_POR\_04 provides a reset signal to the chip when supply voltage reach required level. POR generates reset signal depending of the level supply voltage with hysteresis.



IP technology: SMIC 55nm LL  
 IP status: pre-silicon verification.  
 Area: 0.0115mm<sup>2</sup>.

**ELECTRICAL CHARACTERISTICS**

Parameter	Symbol	Conditions	Value			Units
			min	typ.	max	
Supply voltage	V <sub>CC12</sub>	–	1.08	1.2	1.32	V
Operating temperature range	T <sub>j</sub>	–	-60	+25	+150	°C
Current consumption	I <sub>CC12</sub>	–	0.51	0.99	7.62	uA
Threshold power on reset voltage	V <sub>thH</sub>	–	678	892	1032	mV
	V <sub>thL</sub>		608	793	978	
Time delay	T <sub>thH</sub>	–	–	210	–	us
	T <sub>thL</sub>		–	1	–	
Output logic-level high	V <sub>OH</sub>	For digital outputs	0.8*V <sub>CC12</sub>	–	V <sub>CC12</sub>	V
Output logic-level low	V <sub>OL</sub>		0	–	0.2	V