

Reference voltage source

SPECIFICATION

1 FEATURES

- SMIC CMOS 0.18 μ m
- Output voltage 0.6 V
- Temperature-compensated voltage in a wide temperature range
- Low supply voltage systems availability
- Bipolar diode characteristics control
- Small area
- Supported foundries: TSMC, UMC, Global Foundries, SMIC, iHP, AMS, Vanguard, SilTerra

2 APPLICATION

The output reference voltage can be used for both analog and digital blocks. The main application:

- Supply voltage stabilization systems
- Comparison and detection systems
- System-on-chip for different purposes
- Measurement and calibration systems
- Technological research of microelectronic components
- Low supply voltage systems
- Navigation systems

3 FUNCTIONAL DESCRIPTION

Reference voltage source forms temperature-compensated voltage level due to mutual compensation of temperature dependence of bipolar diodes and resistors.

The block is fabricated on SMIC CMOS 0.18 μ m technology.

4 STRUCTURE

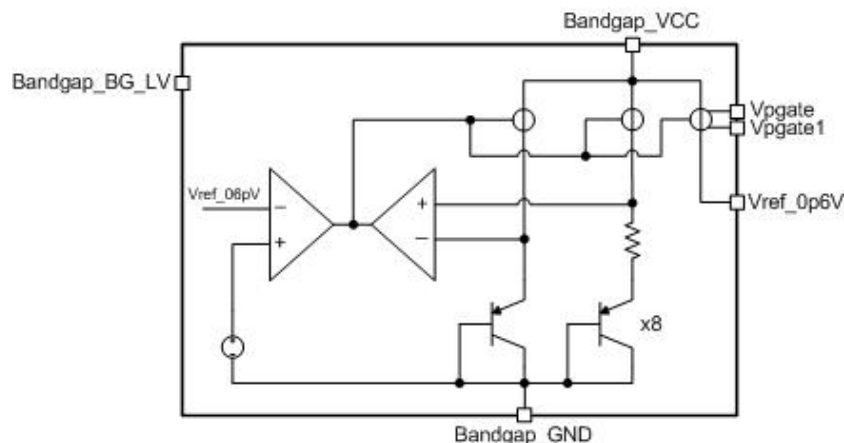


Figure 1: Reference voltage source structure.

5 PIN DESCRIPTION

Name	Direction	Description
Bandgap_BG_LV	I	Enable/disable
Vpgate	O	Current rise
Vpgate1	O	
Vref_0p6V	O	Reference voltage
Bandgap_VCC	IO	Supply voltage
Bandgap_GND	IO	Ground

6 LAYOUT DESCRIPTION

The block dimensions are given in the table 1.

Table 1: Block dimensions.

Dimension	Value	Unit
Height	319.77	μm
Width	239.91	μm

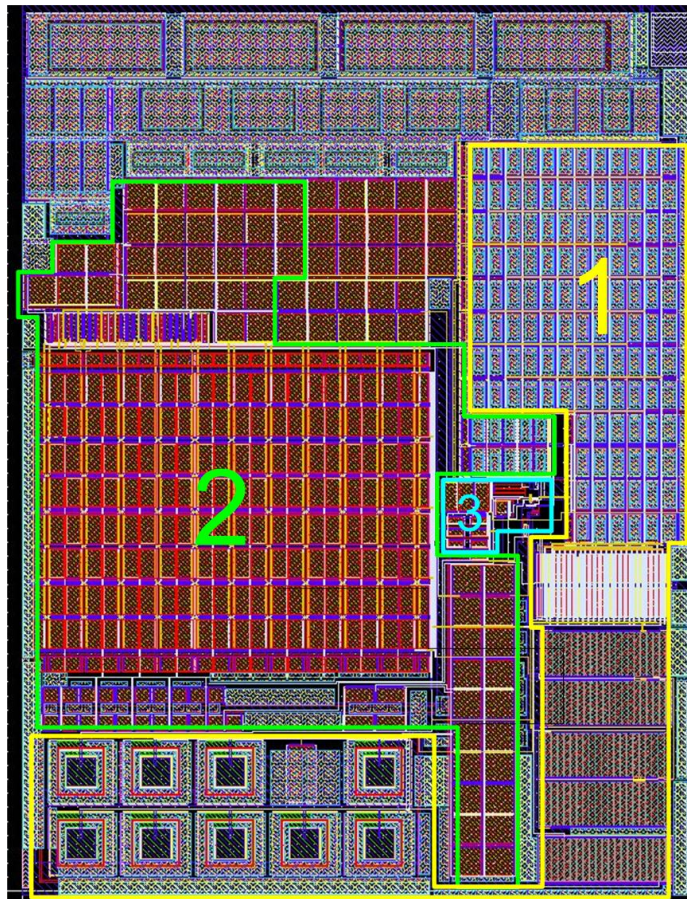


Figure 2: Device layout view.

1. Temperature-compensated reference voltage source bipolar base
2. OTA
3. Start up circuit

7 OPERATING CHARACTERISTICS

7.1 TECHNICAL CHARACTERISTICS

Technology _____ SMIC CMOS 0.18 μ m
 Status _____ silicon proven
 Area _____ 0.08mm²

7.2 ELECTRICAL CHARACTERISTICS

The values of electrical characteristics are specified for $V_{cc} = 2.7 \div 3.6$ V and $T = -45 \div +90$ °C. Typical values are at $V_{cc} = 3.15$ V and $T = +27$ °C, unless otherwise specified.

Parameter	Symbol	Condition	Value			Unit
			min	typ.	max	
Supply voltage	V_{cc}	-	2.7	3.15	3.6	V
Operating temperature range	T	-	-45	27	90	°C
Current consumption	I_{cc}	-	-	65.55	76.98	μ A
Current consumption in a standby mode	I_{stb}	-	-	0.02	-	nA
Reference voltage	V_{ref}	-	598.8	612.7	624.24	mV
Reference voltage deviation	ΔV_{ref}	-	-	2.28	-	%
Temperature error	ΔT	-	-	0.48	-	%
Input logic-high level	V_{IH}	For digital inputs	$0.7 \cdot V_{cc}$	-	V_{cc}	V
Input logic-low level	V_{IL}		-0.25	-	0.3	V

8 DELIVERABLES

IP contents:

- Schematic or NetList
- Layout or blackbox
- Extracted view (optional)
- GDSII
- DRC, LVS, antenna report
- Test bench with saved configurations (optional)
- Documentation